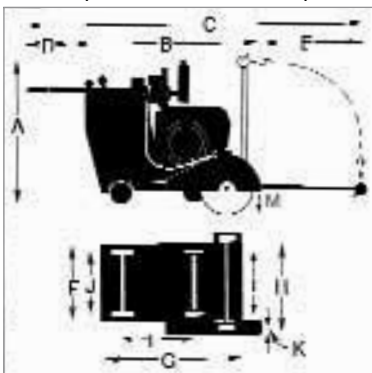


# Walk-Behind Concrete Saws

Pro 35® III Model	Pro 35 III 18	Pro 35 III 26	Pro 35 III 30	Pro 35 III E 26	Pro 35 III E 30	Pro 35 III E 30SS E
<b>Diesel Item No.</b>	<b>C80231</b>	<b>C80233</b>	<b>C80235</b>			
<b>List Price</b>	\$13,100	\$13,200	\$13,305			
<b>Diesel w/Water Pump Item No.</b>	◆	C80234	C80236			
<b>List Price</b>	\$13,225	\$13,325	\$13,430			
<b>Gas/Electric Item No.</b>	<b>C80205</b>	<b>C80208</b>	<b>C80210</b>	◆	C80213	◆
<b>List Price</b>	\$11,592	\$11,881	\$11,995	\$10,836	\$11,252	\$12,952
<b>Gas/Electric w/Water Pump Item No.</b>	◆	<b>C80209</b>	C80211			
<b>List Price</b>	\$11,717	\$12,006	\$12,120			
<b>STANDARD FEATURES</b>						
<b>Blade Guard Capacity - in. (mm)</b>	Slip-on 18 (457)	Slip-on 26 (660.4)	Slip-on 30 (762)	Slip-on 26 (660.4)	Slip-on 30 (762)	Slip-on 30 (762)
<b>Blade Shaft RPM</b>	2,750	1,750	1,530	1,750	1,530	1,530
<b>Max. Depth of Cut - in. (mm)</b>	6-1/2 (165)	10-1/2 (267)	12 (305)	10-1/2 (267)	12 (305)	12 (305)
<b>Arbor Size</b>	Arbor is 1" (25.4mm): blade can be mounted on either side of saw					
<b>Blade Shaft Diameter</b>	1-7/16" (36.5mm)					
<b>Blade Shaft Bearings</b>	Dual, self-aligning pillow block ball bearings					
<b>Blade Shaft Drive</b>	Six belt drive - 2 x 3VX premium banded V-belts					
<b>Blade Control</b>	Electrohydraulic pump raises blade; lowering valve, blade raising toggle switch on speed control lever. Cutting depth indicator adjusts for all blade sizes; Positive depth stop					
<b>Blade Coolant</b>	Zinc plated, dual multiple-jet water spray tubes; water supply connector located at left rear of saw; water control valves on left side of saw					
<b>Axle Front and Rear</b>	1" (25.4mm) diameter					
<b>Wheels Front</b>	6" x 2" x 1" (152 x 51 x 25.4mm); sealed ball bearing; solid polyurethane tires; pressure lubrication fitting					
<b>Rear</b>	8" x 2" x 1" (203 x 51 x 25.4mm); keyway; solid rubber tires; mounted and keyed on axle shaft					
<b>Transmission/Speed</b>	Eaton hydrostatic transmission with single speed gearbox and single chain final drive, neutral/drive shift and neutral safety start switch, 220 FPM road speed					
<b>Chassis</b>	Welded box section construction					
<b>Weight - lb. (kg)</b>	<b>Crated</b>	1,126 (504)	1,136 (509)	1,316 (589)	933 (418)	1,000 (448)
	<b>Uncrated</b>	1,053 (472)	1,063 (476)	1,243 (557)	860 (385)	927 (415)
<b>Delete for Gas Models</b>	-83 (37)	-83 (37)	-83 (37)			
<b>Add for Pump/Deluxe Spotlight</b>	10 (4.5) / 7 (3)	10 (4.5) / 7 (3)	10 (4.5) / 7 (3)	10 (4.5) / n/a	10 (4.5) / n/a	10 (4.5) / n/a
<b>POWER SOURCE</b>	Diesel	Gas		Electric	Electric	Electric
<b>Engine/Motor</b>	Deutz	Wisconsin		Baldor	Lincoln	Lincoln
<b>Specifications</b>	F2L1011F	W4-1770		TEFC	ODP Encapsulated	ODP Encapsulated
<b>Max. Horsepower</b>	31	35	<b>Rated HP</b>	20	30	30
<b>Displacement (cu. in.)</b>	84	107.67	<b>Voltage</b>	230/460	460	460
<b>Bore - in. (mm)</b>	3.6 (91)	3.25 (83)	<b>Phase</b>	3	3	3
<b>Stroke - in. (mm)</b>	4.1 (104)	3.25 (83)	<b>Cycles</b>	60	60	60
<b>Cylinders/Stroke</b>	2/4	4/4	<b>Amp Rating (Full Load)</b>	52/26	37	37
<b>Fuel Capacity - gal. (l)</b>	6.75 (25.6)	6.75 (25.6)	<b>RPM</b>	1,725	1,750	1,750
<b>Oil Capacity - pt. (l)</b>	6 (5.67)	6 (5.67)	<b>Frame Size</b>	256T	286T	286T
<b>Air Filter</b>	Dual element radial seal w/ turbo style pre-cleaner	Dual element radial seal w/ turbo style pre-cleaner	<b>Wire for</b>	460	460	460
<b>Starter</b>	Electric	Electric				Soft Start
<b>Engine Coolant</b>	Air	Air				

## SAW DIMENSIONS

Crated Dimensions: L57-1/2" x W33" x H49" (1448 x 838 x 1245mm)



	INCHES	METRIC (mm)
A: Height w/Pointer Down	42	1,295
B: Min. Saw Length, Pointer Up and Handles In	50	1,270
C: Max. Saw Length, Pointer Down and Handles Out	111	2,819
D: Handle Extension	30	762
E: Pointer Extension	37	940
F: Frame Width	23-7/8	606
G: Frame Length	39-1/2	1,003
H: Saw Width	30-3/4	781
I: Front - Outside to Outside Wheel Width	22	559
J: Rear - Outside to Outside Wheel Width	23	584
K: Blade to Wall	1-7/8	48
L: Wheel Base Length	18-1/4	464
M: Blade Shaft Max. Ht.	15-1/2	394