

go to: PARTS DIAGRAM

CLIP ART

BACK TO SPECIALTY SAWS

### No. 810 Super Saw

The powerful 10 amp. motor and 6 1/2" diameter flush-cutting blade combine to undercut door jambs or along walls, saving you time doing "hot cuts". The blade height is adjustable from a flush cut to a maximum of 1 1/4" off the floor for door cutting. Doors as thick as 1 3/4" can be cut off without removal. The saw comes with one carbide and one masonry blade, detailed instructions, carrying case, and a guarantee.



Undercuts Hanging Doors



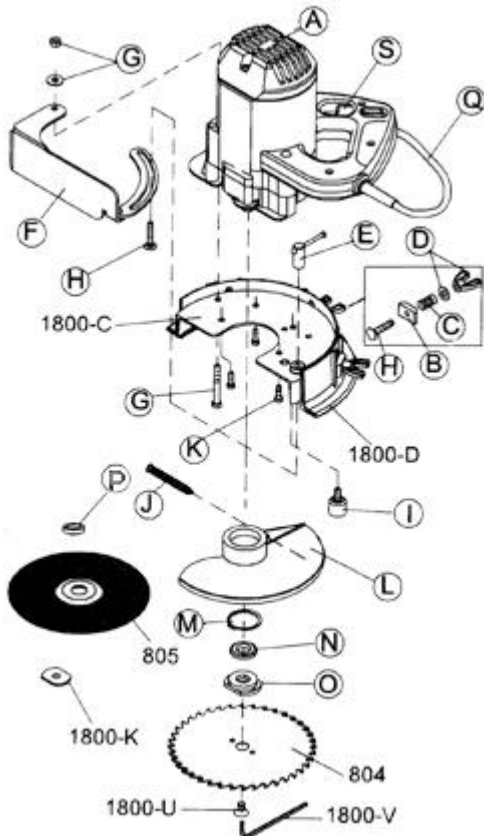
Undercuts Masonry



Undercuts Pocket Doors

PARTS DIAGRAM

up down

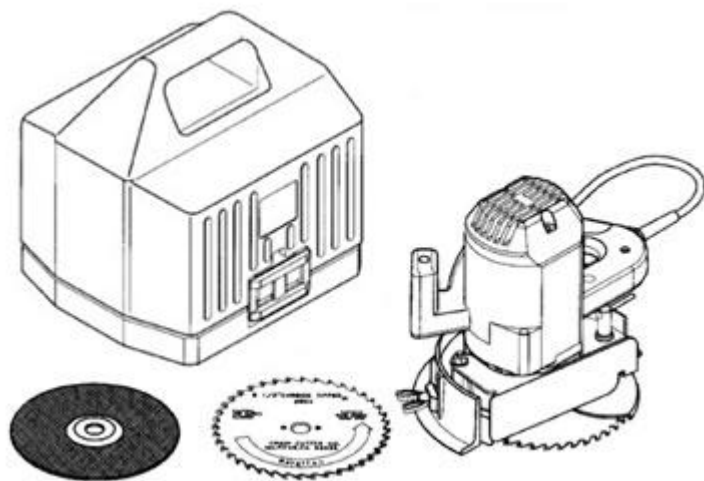


#### NO. 810 SUPER SAW

Order No.	Description
1810-A	Power Unit
1810-B	Guide Washer (3)
1810-C	Guide Washer Springs (3)
1810-D	Guide Washer Wing Nut Set (3)
1810-E	Depth Gauge Washer
1810-F	Depth Gauge Assembly
1810-G	Depth Gauge Screw Set (3)
1810-H	Carriage Bolt (4)
1810-I	Blade Guard Stopper
1810-J	Blade Guard Spring
1810-K	Horseshoe Screw Set (3)
1810-L	Blade Guard
1810-M	Blade Guard Retainer Ring
1810-N	Blade Driver Spacer
1810-O	Blade Driver Assembly
1810-P	Masonry Blade Spacer
1810-Q	Power Cord Set
1810-R	Brush Set w/ Holder (not shown)
1810-S	Switch
1810-T	Amature w/Fan (not shown)
1810-U	Gear Cover w/ Bushing (not shown)
1810-V	Spindle w/Gear (not shown)
1810-W	Ball Bearing (not shown)
1800-C	Horseshoe
1800-D	Height Adjuster
1800-K	Masonry Blade Clamp
1800-O	2-Piece Carrying Case (not shown)
1800-P	Carrying Case Latch Set (2 - not shown)
1800-U	Socket Set Screw
1800-V	Allen Wrench

CLIP ART

up



[▲ Top](#)

[Home](#) | [Distributors](#) | [E-mail](#) | [New Products](#) | [Part Index](#) | [Vinyl Tools](#)  
[Specialty Saws](#) | [Laminate Tools](#) | [Carpet Tools](#) | [Tear-out Tools](#)