

PARTS DIAGRAM

CLIP ART

BACK TO SPECIALTY SAWS

No. 555 Multi-Undercut Saw

This versatile saw undercuts along walls, door jambs, under toe spaces, and will also fully undercut inside corners. The height of cut is easily adjustable from flush to one inch above the floor. The large, flat base prevents tipping and assures accurate, level cutting. The dual-angle depth gauge is a Crain exclusive and allows undercutting at a "straight-on" or a 45° angle. A visual adjustment scale provides precision depth control at 1/8" increments.



NO. 556 CARBIDE BLADE



**UNDERCUTS INSIDE CORNERS, TOE SPACES
AND ALONG WALLS.**

Each saw comes with a 36-tooth No. 556 Carbide Blade. The blade is bell-shaped for added rigidity and should not be used on any other saw. Also comes with custom molded carrying case and a spanner wrench for blade removal. Detailed instructions and one-year guarantee are included.

PARTS DIAGRAM

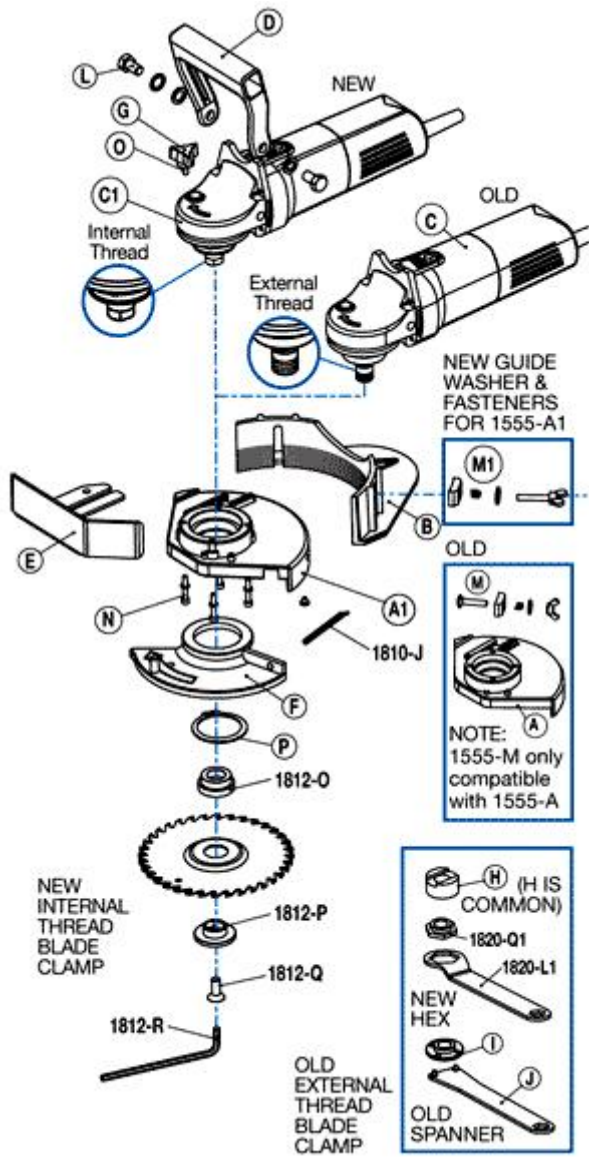
up down

NO. 555 MULTI-UNDERCUT SAW

Order No.	Description
1555-A	OLD Housing
1555-A1	NEW Housing
1555-B	Height Adjuster
1555-C*	OLD Power Unit, 120 volts
1555-C1**	NEW Power Unit, 120 volts
1555-CV*	OLD Power Unit, 220 volts
1555-CV1**	NEW Power Unit, 220 volts
1555-D	Plastic Handle
1555-E	Depth Gauge
1555-F	Blade Guard
1555-G	Three-Arm Knob
1555-H	Blade Driver
1555-I*	OLD Clamp Nut
1555-J*	OLD Spanner Wrench
1555-K	Brushes Set (2 - not shown)
1555-L	Handle Fastener Set (4)
1555-M	OLD Guide Washer/Fastener Set (10)
1555-M1	NEW Guide Washer/Fastener Set (8)
1555-N	Housing Fastener Set (4)
1555-O	Set Screw
1555-P	Snap Ring
1555-R	Carrying Case (not shown)
1555-V	Switch (not shown)
1555-Z	Power Cord (not shown)
1810-J	Blade Guard Spring
1812-O**	Blade Spacer
1812-P**	Blade Clamp
1812-Q**	Blade Screw
1812-R**	Allen® Wrench
1820-L1	NEW Hex Blade Wrench
1820-Q1	NEW Hex Blade Clamp Nut

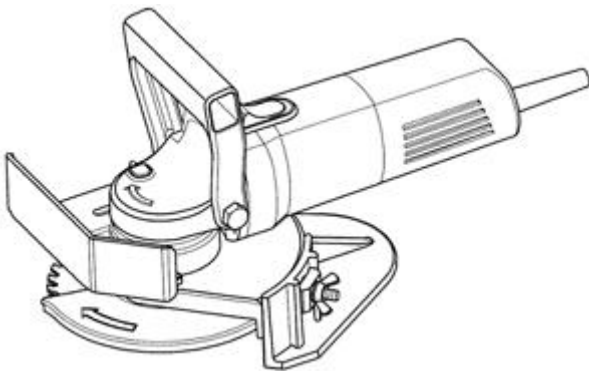
* For saws with 1555-C power unit (spindle w/ external thread)

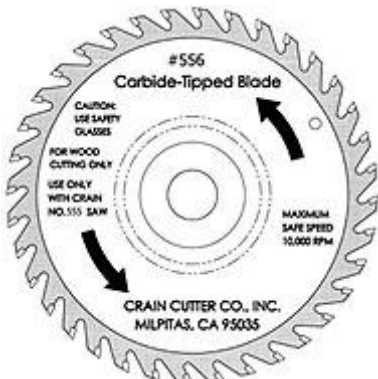
* For saws with 1555-C1 power unit (spindle w/ internal thread) produced after 12/30/05



CLIP ART

up





NO. 556 CARBIDE BLADE
(36-TOOTH)

[▲ Top](#)

[Home](#) | [Distributors](#) | [E-mail](#) | [New Products](#) | [Part Index](#) | [Vinyl Tools](#)
[Specialty Saws](#) | [Laminate Tools](#) | [Carpet Tools](#) | [Tear-out Tools](#)