

go to: PARTS DIAGRAM

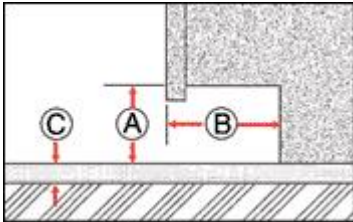
CLIP ART

BACK TO SPECIALTY SAWS



### No. 795 Toe-Kick Saw

Our improved toe-kick saw now comes with a more powerful motor and carrying case at no increase in price! The powerful 2 1/2 HP 11 AMP motor has helical gears for greater durability, and larger handles for improved control. Cuts flush to the wall with a maximum depth of 3/4" for removing the thickest underlayments.

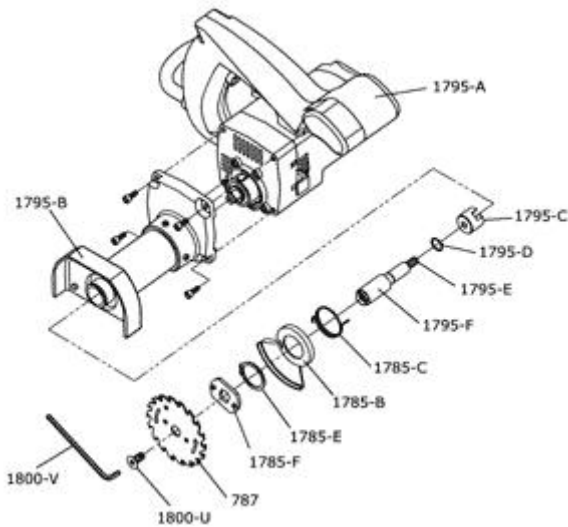


#### MINIMUM WORKING DIMENSIONS- TOE-KICK TO BE CUT:

- A. Minimum height: 3 1/2"
- B. Maximum depth: 4"
- C. Maximum floor thickness: 3/4"

PARTS DIAGRAM

up down

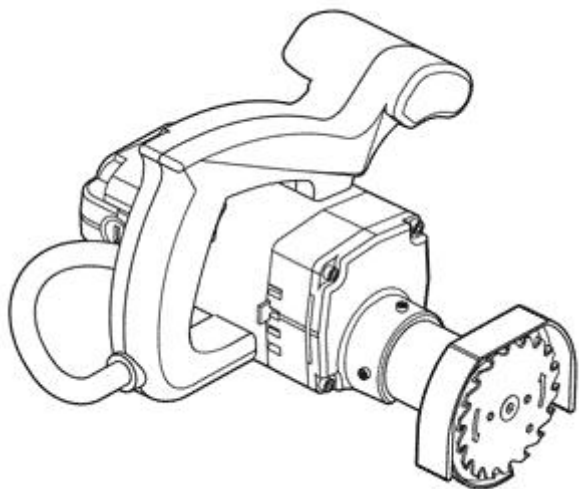


#### NO. 795 TOE-KICK SAW

- | Order No. | Description  |
|-----------|--|
| 1795-A    | 120 V Power Unit                                     |
| 1795-B    | Housing Complete<br>(Includes P/N's 1795-C, D, E, F) |
| 1795-C    | Spindle Driver                                       |
| 1795-D*   | Spindle Retainer Ring                                |
| 1795-E*   | Spindle Coupling Screw                               |
| 1795-F    | Spindle  |
| 1795-G*   | Carrying Case (not shown)                            |
| 1795-J    | Brush Set (not shown)                                |
| 1795-K    | Power Cord (not shown)                               |
| 1795-L    | Switch (not shown)                                   |
| 1795-M    | Carrying Case Latch Set (2) (not shown)              |
| 1795-N    | Spindle w/ Gear (not shown)                          |
| 1795-O    | Armature w/ Fan (not shown)                          |
| 1785-B    | Blade Guard  |
| 1785-E*   | Blade Guard Retainer Ring                            |
| 1785-F*   | Blade Driver   |
| 1800-U*   | Socket Set Screw                                     |
| 1800-V*   | Allen Wrench   |
- \* Same for all previous models.

CLIP ART

up



[▲ Top](#)

[Home](#) | [Distributors](#) | [E-mail](#) | [New Products](#) | [Part Index](#) | [Vinyl Tools](#)  
[Specialty Saws](#) | [Laminate Tools](#) | [Carpet Tools](#) | [Tear-out Tools](#)