

Trencher Attachment



LT405



LT112



LT213



LT313

One Tough Animal™

Specifications

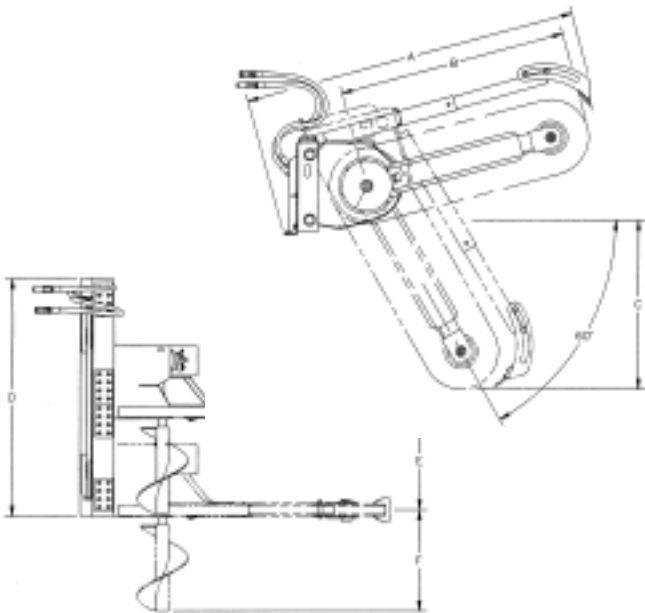
Trencher	LT112	LT113	LT213	LT313 (3')	LT313 (4')	LT405
Features	Manual side-shift	Manual side-shift	Manual side-shift***	Manual side-shift***	Manual side-shift***	Hydraulic side-shift
	1.654 in. chain Double Standard ABF	1.654 in. chain Double Standard ABF	1.654 in. chain Double Standard ABF	2 in. chain Double Standard ABF	2 in. chain Double Standard ABF	2 in. chain Double Standard ABF
	12 in. dia. single removable auger	12 in. dia. single removable auger	12 in. dia. single removable auger	12 in. dia. single removable auger	12 in. dia. single removable auger	12 in. dia. dual augers
	Grease cylinder chain tightener	Grease cylinder chain tightener	Grease cylinder chain tightener	Grease cylinder chain tightener	Grease cylinder chain tightener	Grease cylinder chain tightener
	Chain options available	Chain options available	Chain options available	Chain options available	Chain options available	
Operating Weight*	615 lb. (279 kg)	626 lb. (284 kg)	725 lb. (329 kg)	955 lb. (433 kg)	980 lb. (444 kg)	1520 lb. (689 kg)
Trenching Widths Available	4-8 in.	4-8 in.	4-8 in.	6-12 in.	6-12 in.	6-12 in.
Flow Range	9-15 GPM (30-57 L/Min)	9-15 GPM (30-57 L/Min)	11-18 GPM (42-68 L/min)	15-22 GPM (57-83 L/min)	15-22 GPM (57-83 L/min)	21-32 GPM (79-121 L/min)
Maximum Operating Pressure	3000 psi (20864 KPa)	3000 psi (20864 KPa)	3300 psi (22750 KPa)	3300 psi (22750 KPa)	3300 psi (22750 KPa)	3300 psi (22750 KPa)
Approved Bobcat Loaders	MT50, MT52, MT55 463	MT50, MT52, MT55 463	**553, 753, S130, T140 5600	***753, 763, S130, S150, S160, 773, S175, S185, 863, S205, S220, S250, S300, A220, A300, T180, T190, T200	***753, 763, S130, S150, S160, 773, S175, S185, 863, S205, S220, S250, S300, A220, A300, T180, T190, T200	773H, S175H, S185H, 863H, S205H, S220H, S250H, S300H, A220H, A300H, T180H, T190H, T200H, T250H, T300H
A. Overall Length	60.7 in. (1542 mm)	74 in. (1880 mm)	74 in. (1880 mm)	79.5 in. (2019 mm)	89.5 in. (2273 mm)	105 in. (2667 mm)
B. Std. Boom Length	39.4 in. (1000 mm)	52.5 in. (1334 mm)	52.5 in. (1334 mm)	55.5 in. (1410 mm)	65.5 in. (1664 mm)	63 in. (1600 mm)
C. Dig Depth	24 in. (610 mm)	36 in. (915 mm)	36 in. (915 mm)	36 in. (915 mm)	48 in. (1219 mm)	48-60 in. (1218-1524 mm)
D. Frame Width	36 in. (915 mm)	36 in. (915 mm)	56.0 in. (1422 mm)	56.0 in. (1422 mm)	56.0 in. (1422 mm)	65 in. (1651 mm)
E. Side-Shift Travel	16.1 in. (409 mm)	16.1 in. (409 mm)	***23.1 in. (587 mm)	***23.1 in. (587 mm)	***23.1 in. (587 mm)	26 in. (660 mm)
F. Auger Clearance	13.8-15.8 in. (351-401 mm)	13.8-15.8 in. (351-401 mm)	13.8-15.8 in. (351-401 mm)	24-27 in. (607-686 mm)	24-27 in. (607-686 mm)	19 in. (483 mm)

*Without teeth

**When using the LT213 trencher on a 553, limit use to easy trenching conditions with a 6" maximum trench width.

***LT213/LT313 side-shifts to the right. Optional hydraulic side-shift available.

****753 approved with LT313 with 3' dig depth only.



Trenchers that really dig their work!

Tackle tough trenching jobs with Bobcat trencher attachments, designed and built specifically for Bobcat loaders. That means reliable, cost-effective production as well as Bobcat warranty, parts and service support.

With 2- and 3-foot dig depths, the LT112, LT113 and LT213 are ideal for light-to-medium trenching jobs. The LT313, with its 3- or 4-foot dig depth, can easily handle medium-to-high production trenching. The LT112, LT113, LT213 and LT313 models feature manual side-shift with an optional hydraulic side-shift available on the LT213 and LT313. The LT405, with a 4- or 5-foot dig depth, is a high-production trencher for use on Bobcat loaders with high-flow capability.

NOTE - Where applicable, dimensions are in accordance with Society of Automotive Engineers (SAE) and ISO standards. Specifications and design are subject to change without notice. Pictures of Bobcat units may show other than standard equipment. All dimensions are given for loader equipped with standard tires. All dimensions are shown in inches. Respective metric dimensions are enclosed by parentheses. Bobcat Company complies with the requirements of ISO 9001 as registered with BSI.

The Bobcat Attachments Advantage: Bobcat attachments are engineered and manufactured to fit Bobcat loaders for optimum job performance, dependability and durability.

(To operate high-flow attachments, the 963 will require additional kits. See your local dealer for details.)

Bobcat Trencher Attachments fit these carrier models:

Mini Track Loaders:
MT50
MT52
MT55

Skid-Steer Loaders:

463
553**
753
763
S130
S150
S160
773
773H
S175
S175H
S185
S185H
863
863H
S205
S205H
S220
S220H
S250
S250H
S300
S300H

Compact Track Loaders:

T140
T180
T180H
T190
T190H
T200
T200H
T250H
T300H

All-Wheel Steer Loaders:

A220
A220H
A300
A300H

Utility Work Machine:
5600



B-1661

Bobcat Company
P.O. Box 6000 • West Fargo, ND 58078
www.bobcat.com

Printed in U.S.A.

An **IR** Ingersoll-Rand business

Kn-10M-905-#B6346605-F