

Soil Conditioner Attachment



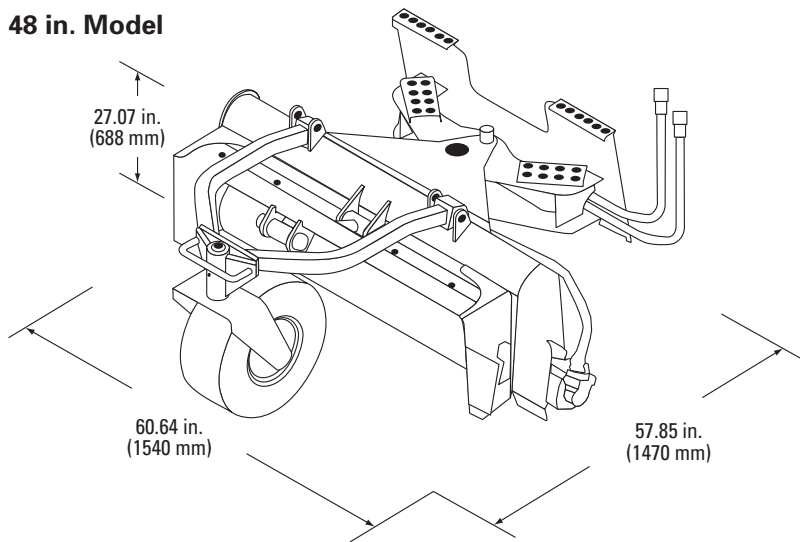
One Tough Animal™

Specifications

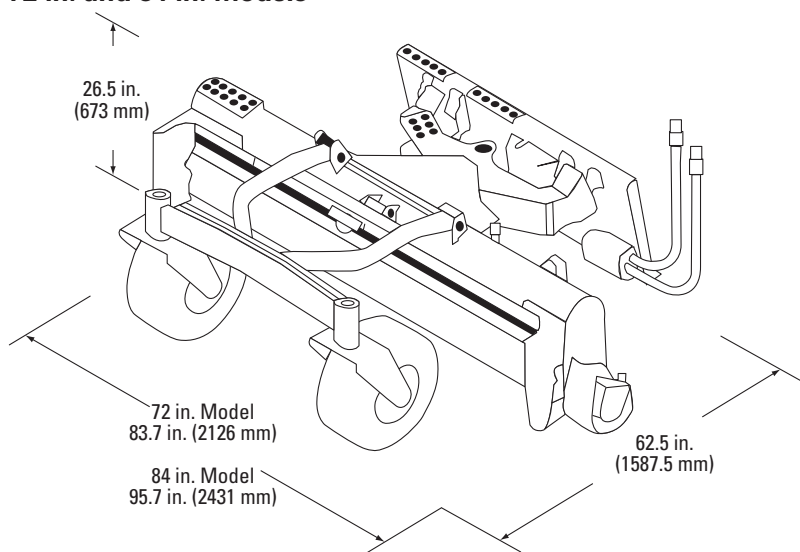
Soil Conditioner	48-in. Manual	72-in. Manual/ Hydraulic Angle*	84-in. Hydraulic Angle*
Overall Length:	57.9 in. (1471 mm)	62.5 in. (1588 mm)	62.5 in. (1588 mm)
Overall Width:	60.6 in. (1539 mm)	83.7 in. (2126 mm)	95.7 in. (2431 mm)
Working Width (fully angled)	45.7 in. (1161 mm)	65 in. (1651 mm)	76.0 in. (1930mm)
Degree of Angle:	25° left or right	25° left or right	25° left or right
Number of Teeth:	81	121	141
Operating Weight: (manual)	585 lb. (265 kg)	1084 lb. (492 kg)	
Operating Weight: (hydraulic)		1109 lb. (503 kg)	1239 lb. (562 kg)
Hydraulic Requirements:	10 – 18 gpm	13 – 30 gpm	18 – 30 gpm

*Attachment Control Kit Required

48 in. Model



72 in. and 84 in. Models



Smooth it. Move it. Level it.

The Bobcat soil conditioner saves you time and labor whenever you have to smooth ruts, move material or level mounds. It's a versatile, cost-effective landscaping tool!

- Produces a perfect bed for seeding or sodding.
- Windrows and separates rocks and other debris.
- Grades and levels topsoil.
- Tears out old sod.
- Pulverizes dirt clumps.
- Forward and reverse raking action.
- Roller bar follows ground contours.
- Flip-up front bolster lets you get close to buildings and saves space during transport.
- Direct-drive motor eliminates chain and sprocket problems.
- Unique bearing and hub design helps eliminate seal failure.
- Attachable end plates for box-blade effect.
- Unit can be angled up to 25° left or right.
- Choose from hydraulically-angled or manually-angled models.

NOTE - Where applicable, dimensions are in accordance with Society of Automotive Engineers (SAE) and ISO standards. Specifications and design are subject to change without notice. Pictures of Bobcat units may show other than standard equipment. All dimensions are given for loader equipped with standard tires. All dimensions are shown in inches. Respective metric dimensions are enclosed by parentheses. Bobcat Company complies with the requirements of ISO 9001 as registered with BSI.

The Bobcat Attachments Advantage: Bobcat attachments are engineered and manufactured to fit Bobcat loaders for optimum job performance, dependability and durability.

Bobcat Soil Conditioner Attachment fits these carrier models:

Mini Loaders:
MT50
MT52
MT55

Skid-Steer Loaders:

463
553
753
763
S130
S150
S160
S160H
S175
S175H
S185
S185H
S205
S205H
S220
S220H
S250
S250H
S300
S300H

Compact

Track Loaders:

T140
T180
T180H
T190
T190H
T200
T200H
T250
T250H
T300
T300H

All-Wheel

Steer Loaders:

A220
A220H
A300
A300H

Utility Work

Machine:

5600



B-1733

Bobcat Company
P.O. Box 6000 • West Fargo, ND 58078
www.bobcat.com

Printed in U.S.A.



Kn-10M-106-#2493-F