

AUGER

attachments



Quick, Powerful and Accurate Digging.

Powerful hydraulics dig 6"- 36" holes with speed and plumb-line accuracy.

Whether it's holes for fence posts or trees, there are three models of the Bobcat auger attachment to fit your Bobcat machine. Features of the model 10, 15 and 30 drive units include:

- Direct drive for more efficient operation. A smaller drive housing allows the entire drive unit to follow the bit into the hole, adding a foot more dig depth than a standard drive unit¹.
- More torque. An efficient design and modified displacement give these units plenty of torque.
- Patented combination hex and round output shaft standard on Model 15C and 30C.
- Improved mounting system.

¹12-inch bit or larger



Combination hex and round output shaft.



Patented combination hex and round output shaft accepts auger bits with either a hex or round drive. The combination output shaft is standard on Model 15C and 30C augers.

A unique knuckle joint design allows the auger to dig vertical holes even if your Bobcat unit is on uneven terrain.



Turn your Bobcat 322, 325, 328, 331, 334, 337, 341 or 331E compact excavator into an auger machine to drill holes for posts, poles, piers and footings in those hard-to-reach places.



Auger bits and teeth for different soil conditions



Light Duty Bit
(white)



Standard Bit
(charcoal)



Heavy Duty Bit
(orange)



Rock Bit
(white)

Features

2.5-inch ROUND drive hub
Single flighting
Steel boring head
Tri-Flow™ pilot point
45-inch length

2.5-inch ROUND drive hub
Double flighting
Steel boring head
Tri-Flow™ pilot point
49-inch length

2-inch HEX drive hub
Single flighting
Cast boring head
Tri-Flow™ pilot point
42-inch length

2-inch HEX drive hub
Single flighting
Cast boring head
Rock Ripper™ pilot point
42-inch length

Applications

Standard digging, clay and sandy soils

Standard digging, clay and sandy soils

Hard ground, hardpan, caliche, asphalt and frozen ground

Fracturable rock, asphalt and hard soil with rocks

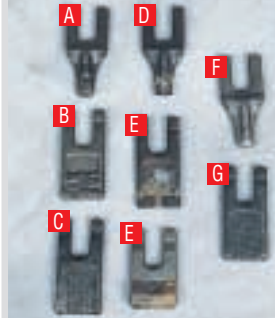
Replacement Teeth



A. Aggressor forged (STD)
B. Aggressor carbide
C. Aggressor hardfaced



A. Aggressor forged (STD)
B. Aggressor carbide
C. Aggressor hardfaced



A. Hard faced chisel tooth
B. Hard faced 2-side
C. Hard faced 1-side
D. Carbide chisel tooth
E. Carbide tooth (2)
F. Standard chisel tooth
G. Standard corner tooth



A. Round carbide

SPECIFICATIONS

Quick, Powerful and Accurate Digging!

Digging Depth (without extension)

Model 10	58 in.
Model 15C, 30C	62 in.

Recommended Machines

Model 10:	MT50, 463, 553, 753 Loaders; 322*, 325, 328 Excavators
Model 15C:	553-883, T190-T300, A220-A300 Loaders; 325, 328, 331, 331E**, 334, 337, 341 Excavators; V518, V623 VersaHandler TTC
Model 30C:	753-963, T190-T300, A220-A300 Loaders; 325, 328, 331, 331E**, 334, 337, 341 Excavators; V518, V623 VersaHandler TTC

*Largest bit capable 15 in. **The 331E extendable arm must be pinned in the retracted position.

Auger	MODEL 10	MODEL 15C	MODEL 30C
-------	----------	-----------	-----------

Auger	MODEL 10	MODEL 15C	MODEL 30C
HOUSING			
Length	8.44 in. (214 mm)	10.59 in. (269 mm)	10.59 in. (269 mm)
Width	9.18 in. (233 mm)	10.23 in. (260 mm)	10.23 in. (260 mm)
Height	—	20.65 in. (525 mm)	20.65 in. (525 mm)
CLEARANCE DIAMETER OF DRIVE UNIT			
	10 in. (254 mm)	12 in. (305 mm)	12 in. (305 mm)
WEIGHT			
	140 lb. (64 kg)	215 lb. (98 kg)	231 lb. (105 kg)
DRIVE SYSTEM			
	DIRECT	DIRECT	DIRECT
RPM*			
@ 6 GPM (23 l/min.)	36 RPM	—	—
@ 8 GPM (30 l/min.)	48 RPM	38 RPM	—
@ 13 GPM (49 l/min.)	78 RPM	61 RPM	32 RPM
@ 15 GPM (57 l/min.)	90 RPM	71 RPM	36 RPM
@ 18 GPM (68 l/min.)	—	85 RPM	44 RPM
@ 25 GPM (95 l/min.)	—	—	61 RPM
@ 28 GPM (106 l/min.)	—	—	68 RPM
TORQUE*			
@ 1600 PSI (11030 kPa)	817 ft.-lb. (1108 Nm)	1040 ft.-lb. (1410 Nm)	2016 ft.-lb. (2734 Nm)
@ 1800 PSI (12409 kPa)	919 ft.-lb. (1246 Nm)	1170 ft.-lb. (1587 Nm)	2268 ft.-lb. (3075 Nm)
@ 2000 PSI (13788 kPa)	1021 ft.-lb. (1384 Nm)	1300 ft.-lb. (1763 Nm)	2520 ft.-lb. (3417 Nm)
@ 2200 PSI (15167 kPa)	1123 ft.-lb. (1523 Nm)	1430 ft.-lb. (1939 Nm)	2772 ft.-lb. (3759 Nm)
@ 2600 PSI (17924 kPa)	1328 ft.-lb. (1801 Nm)	1690 ft.-lb. (2292 Nm)	3276 ft.-lb. (4442 Nm)
@ 3000 PSI (20682 kPa)	1532 ft.-lb. (2077 Nm)	1950 ft.-lb. (2644 Nm)	3780 ft.-lb. (5126 Nm)

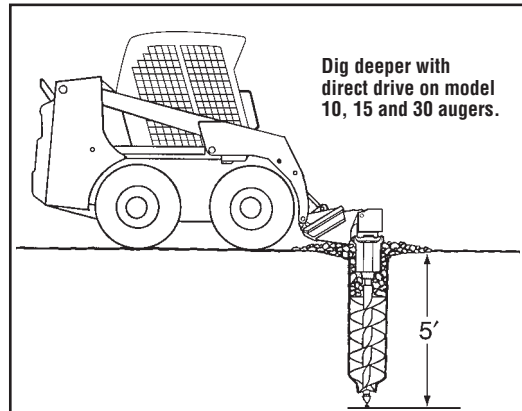
* Values are calculated, theoretical at 100% efficiency.

Auger Bit Sizes

Light Duty:	6 in., 9 in., 12 in., 15 in., 18 in., 24 in., 30 in., 36 in.
Standard:	6 in., 9 in., 12 in., 15 in., 18 in., 24 in., 30 in., 36 in.
Tree Planting	18 in., 24 in., 30 in., 36 in.
Heavy Duty:	6 in., 9 in., 12 in., 16 in., 18 in., 20 in., 24 in., 30 in.
Tree Planting	36 in., 42 in.
Rock:	6 in., 9 in., 12 in., 16 in., 18 in., 20 in., 24 in., 30 in.

Accessories

Extensions:	14 in. Extension 24 in. Adjustable Round Extension (Adjustment Positions: 9 in., 16.5 in., 24 in.) 24 in. Adjustable Hex Extension (Adjustment Positions: 9 in., 16.5 in., 24 in.) 48 in. Adjustable Round Extension (Adjustment Positions: 13 in., 24.7 in., 36.3 in., 48 in.) 48 in. Adjustable Round Extension (Adjustment Positions: 23 in., 35.5 in., 48 in.)
Adapters for Dedicated Hex or Round Shafts:	Round Shaft to Hex Bit Adapter, Cast Hex Shaft to Round Bit Adapter, Cast Hex Shaft to Round Bit Adapter, Sleeve



Select a Bobcat auger to suit your needs:

	Torque	Speed	Recommended Uses
Model 10	Low	High	Areas with relatively easy digging or loose soils. Up to 24 in. diameter bits.
Models 15C	Med	Med	Moderate to heavy digging requirements, rocky soil, and occasional tough digging. Up to 36 in. diameter bits.
Models 30C	High	Low	Hard, tough, all-day digging through hardpan, frost, or asphalt. Ideal for large diameter bits and hex drive applications.

"C" designation denotes "combination hex and round" output shaft. All other drives are round.

NOTE - Where applicable, dimensions are in accordance with Society of Automotive Engineers (SAE) and ISO standards. Specifications and design are subject to change without notice. Pictures of Bobcat units may show other than standard equipment. All dimensions are given for loader equipped with standard tires. All dimensions are shown in inches. Respective metric dimensions are enclosed by parentheses. Bobcat Company complies with the requirements of ISO 9001 as registered with BSI.

The Bobcat Attachments Advantage: Bobcat attachments are engineered and manufactured to fit Bobcat loaders for optimum job performance, dependability and durability.

Bobcat Auger Attachment fits these carrier models:

Mini Loaders:
MT50

Skid-Steer Loaders:

- 463
- 553
- 753
- 763
- 773
- 863
- 873
- 883
- 963

Compact Track Loaders:

- T190
- T200
- T300

All-Wheel Steer Loaders:

- A220
- A300

Excavators:

- 322
- 325
- 328
- 331
- 331E
- 334
- 337
- 341

VersaHandler TTC:

- V518
- V623

Utility Work Machine:
5600