



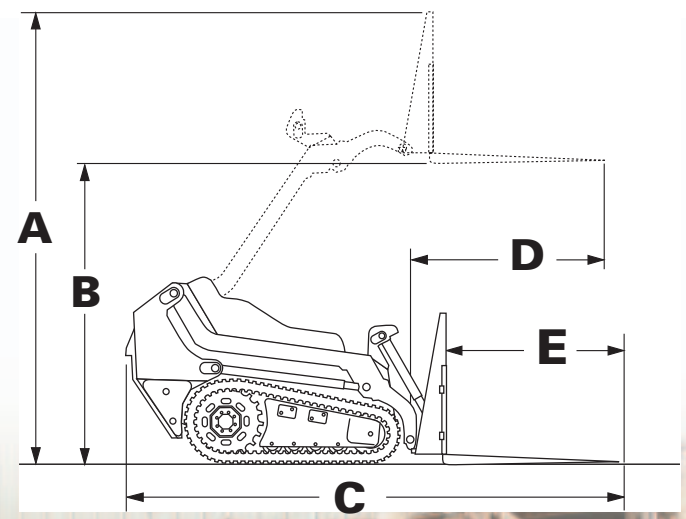
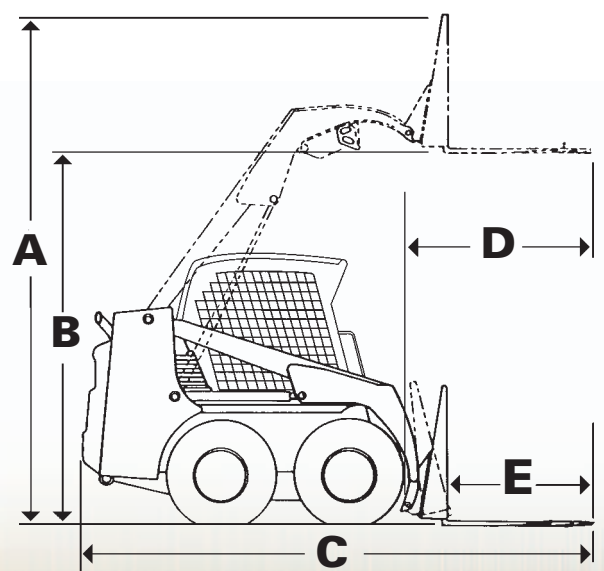
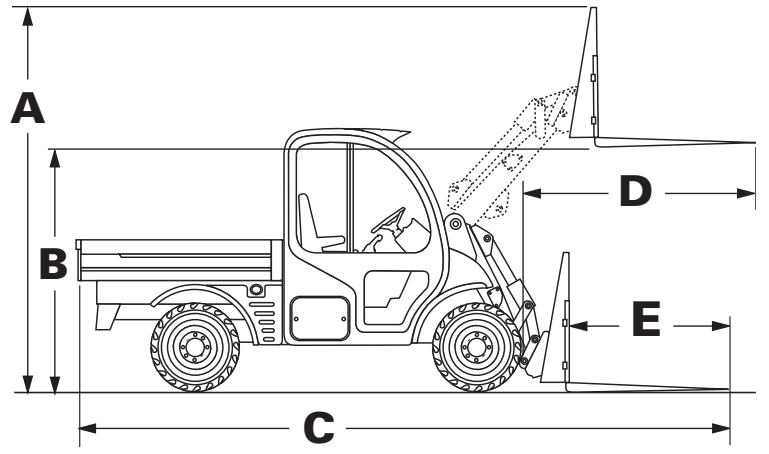
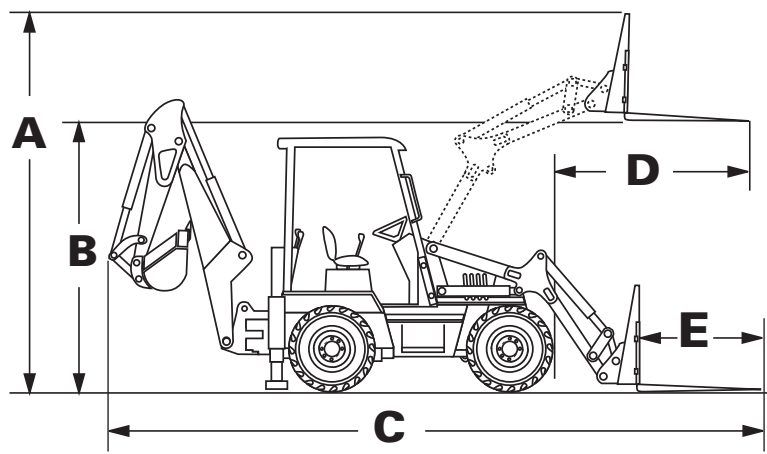
# Pallet Fork

## Attachment



Hydraulic Fork Positioning Available



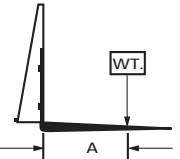


## Specifications

### STANDARD PALLET FORK (with 36 in. teeth)

Loader Size	A	B	C	D	E
<b>MT50</b>	104 in.	70 in.	112 in.	48 in.	36 in.
<b>MT52</b>	101 in.	66 in.	110 in.	45 in.	36 in.
<b>MT55</b>	101 in.	66 in.	113 in.	51 in.	36 in.
<b>463</b>	124 in.	90 in.	120 in.	40 in.	36 in.

### PALLET FORK RATINGS (SMALL)



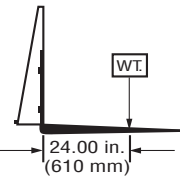
Dimension "A" Inches (mm)	Loader Rated Operating Capacity	lb.		Kg	
15.75 (400)	500 lb.	262	119		
24.00 (610)		224	102		
15.75 (400)	700 lb.	440	200		
24.00 (610)		380	172		

Frame	Frame Width	Frame Height	Frame Weight	Tooth Lengths	Tooth Wt. (set of 2)	Total Weight
Small	37 in.	34.5 in.	105 lb.	30 in. 36 in.	130 lb. 147 lb.	235 lb. 252 lb.

### STANDARD PALLET FORK (with 48 in. teeth)

Loader Size	A	B	C	D	E
<b>553</b>	137 in.	98 in.	142 in.	55 in.	48 in.
<b>S130/753</b>	142 in.	103 in.	150 in.	—	48 in.
<b>763</b>	148 in.	109 in.	158 in.	57 in.	48 in.
<b>S150/S160</b>	151 in.	113 in.	156 in.	57 in.	48 in.
<b>T180</b>	151 in.	113 in.	156 in.	—	48 in.
<b>773/S175/S185</b>	151 in.	113 in.	156 in.	67 in.	48 in.
<b>863</b>	155 in.	116 in.	158 in.	62 in.	48 in.
<b>S220</b>	156 in.	116 in.	169 in.	62 in.	48 in.
<b>S250</b>	156 in.	121 in.	169 in.	70 in.	48 in.
<b>873</b>	157 in.	119 in.	157 in.	66 in.	48 in.
<b>S300</b>	158 in.	121 in.	169 in.	70 in.	48 in.
<b>A220</b>	159 in.	116 in.	158 in.	62 in.	48 in.
<b>T190</b>	151 in.	113 in.	158 in.	68 in.	48 in.
<b>B100</b>	125 in.	86 in.	232 in.	86 in.	48 in.
<b>B200</b>	132 in.	93 in.	248 in.	78 in.	48 in.
<b>B250</b>	137 in.	97 in.	257 in.	78 in.	48 in.
<b>5600</b>	117 in.	77 in.	202 in.	79.5 in.	48 in.
<b>T140</b>	143 in.	104 in.	150 in.	63 in.	48 in.
<b>S205</b>	151 in.	112 in.	156 in.	68 in.	48 in.
Small Frame					
<b>MT55</b>					

### PALLET FORK RATINGS (STANDARD)



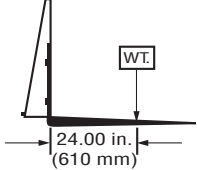
Loader Rated Operating Capacity	lb.	Kg
950 lb.	420	191
<b>1200 lb.</b>	675	307
<b>1300 lb.</b>	775	352
<b>1500 lb.</b>	960	436
<b>1700 lb.</b>	1125	511
<b>1900 lb.</b>	1290	586
<b>2100 lb.</b>	1400	636
<b>2300 lb.</b>	1500	682
<b>2500 lb.</b>	1580	718

Frame	Frame Width	Frame Height	Frame Weight	Tooth Lengths	Tooth Wt. (set of 2)	Total Weight
Standard	46 in.	39 in.	200 lb.	30 in.	130 lb.	330 lb.
				36 in.	147 lb.	347 lb.
				42 in.	164 lb.	364 lb.
				48 in.	181 lb.	381 lb.

### HEAVY DUTY PALLET FORK (with 48 in. teeth)

Loader Size	A	B	C	D	E
<b>863</b>	165 in.	116 in.	161 in.	71 in.	48 in.
<b>S220</b>	167 in.	117 in.	169 in.	70 in.	48 in.
<b>S250</b>	173 in.	123 in.	169 in.	78 in.	48 in.
<b>873</b>	168 in.	119 in.	166 in.	80 in.	48 in.
<b>883</b>	168 in.	119 in.	166 in.	80 in.	48 in.
<b>S300</b>	173 in.	123 in.	169 in.	78 in.	48 in.
<b>963</b>	172 in.	123 in.	179 in.	74 in.	48 in.
<b>A220</b>	165 in.	116 in.	161 in.	71 in.	48 in.
<b>A300</b>	173 in.	123 in.	169 in.	73 in.	48 in.
<b>T200</b>	165 in.	116 in.	161 in.	73 in.	48 in.
<b>T250</b>	166 in.	117 in.	169 in.	71 in.	48 in.
<b>T300</b>	173 in.	123 in.	169 in.	78 in.	48 in.
<b>B300</b>	153 in.	102 in.	257 in.	82 in.	48 in.

### PALLET FORK RATINGS (HEAVY DUTY)



Loader Rated Operating Capacity	Loader Rated Lift Capacity	
	lb.	Kg
2000 lb.	910 Kg	1300 lb. 590 Kg
2200 lb.	1000 Kg	1430 lb. 650 Kg
2400 lb.	1090 Kg	1560 lb. 710 Kg
2600 lb.	1180 Kg	1690 lb. 770 Kg
2800 lb.	1270 Kg	1820 lb. 830 Kg
3000 lb.	1360 Kg	1950 lb. 880 Kg
3200 lb.	1450 Kg	2080 lb. 940 Kg
3400 lb.	1540 Kg	2210 lb. 1000 Kg
3600 lb.	1630 Kg	2340 lb. 1060 Kg

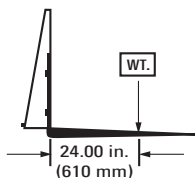
Frame	Frame Width	Frame Height	Frame Weight	Tooth Lengths	Tooth Wt. (set of 2)	Total Weight
Heavy Duty	51 in.	49 in.	358 lb.	42 in. 48 in.	214 lb. 238 lb.	572 lb. 596 lb.



Fork Width Adjustment Knob (non-hydraulic forks only)

## Specifications

### HYDRAULIC PALLET FORK RATINGS



Loader Rated Operating Capacity		
900 lb.	360 lb.	(160 Kg.)
1300 lb.	550 lb.	(250 Kg.)
1500 lb.	655 lb.	(295 Kg.)
1700 lb.	845 lb.	(380 Kg.)
1900 lb.	990 lb.	(450 Kg.)
2100 lb.	1050 lb.	(475 Kg.)
2300 lb.	1150 lb.	(520 Kg.)
2500 lb.	1250 lb.	(565 Kg.)
2700 lb.	1350 lb.	(610 Kg.)
3000 lb.	1680 lb.	(760 Kg.)

- Adjust fork spacing with fingertip controls inside the cab
- Two hydraulic cylinders adjust outside spacing width from 40.25 in. to 12 in.
- Two sizes of forks to choose from: 42 in. and 48 in.

### HYDRAULIC PALLET FORK SPECIFICATIONS

Frame	Frame Width	Frame Height	Frame Weight	Tooth Lengths	Tooth Wt. (set of 2)	Total Weight
Hydraulic	48 in.	39 in.	383 lb.	42 in. 48 in.	164 lb. 181 lb.	547 lb. 564 lb.



NOTE - Where applicable, dimensions are in accordance with Society of Automotive Engineers (SAE) and ISO standards. Specifications and design are subject to change without notice. Pictures of Bobcat units may show other than standard equipment. All dimensions are given for loader equipped with standard tires. All dimensions are shown in inches. Respective metric dimensions are enclosed by parentheses. Bobcat Company complies with the requirements of ISO 9001 as registered with BSI.

*The Bobcat Attachments Advantage: Bobcat attachments are engineered and manufactured to fit Bobcat loaders for optimum job performance, dependability and durability.*

**Bobcat Pallet Fork Attachment fits these carrier models:**

**Mini Loaders:**  
MT50  
MT52  
MT55

**Skid-Steer Loaders:**

463  
553  
753  
763  
S130  
S150  
S160  
S175  
S185  
S205  
S220  
S250  
S300  
S300  
873

**Compact Track Loaders:**

T140  
T180  
T190  
T200  
T250  
T300

**All-Wheel Steer Loaders:**

A220  
A300

**Loader Backhoes:**

B100  
B100T  
B200  
B250  
B300

**Utility Work Machine:**

5600

**Bobcat Hydraulic Pallet Fork Attachment fits these carrier models:**

**Skid-Steer Loaders:**

753  
763  
S130  
S150  
S160  
S175  
S185  
S205  
S220  
S250  
S300

**Compact Track Loaders:**

T140  
T180  
T190  
T200  
T250  
T300

**All-Wheel Steer Loaders:**

A220  
A300