

**2WD Rear Wheel Steer Site Dumper**

<b>OPERATING WEIGHT</b>	2,755 lbs (1,250 kg)
<b>NET ENGINE POWER</b>	22 hp (16.4 kW)
<b>HEAPED</b>	1.8 yd <sup>3</sup> (1,384 L)
<b>STRUCK LEVEL</b>	1.4 yd <sup>3</sup> (1,052 L)



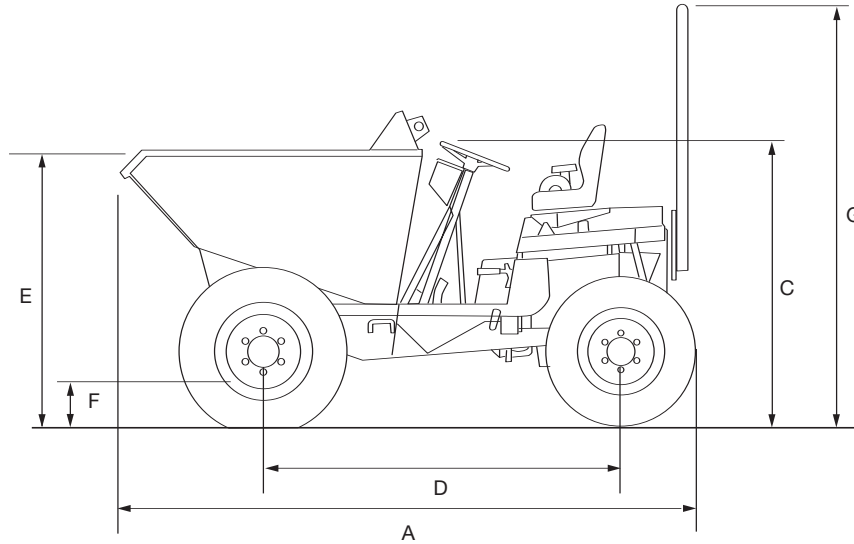
**2WD REAR WHEEL STEER  
PT200**

**Specifications**

Engine		Transmission	
Manufacturer, model	Kubota D905E	2 WD, manual	3/1
Net power rating @ 3,200 rpm	22 hp (16.4 kW)		
Bucket Capacities		Brakes	
Payload	4,409 lbs (2,000 kg)	Totally enclosed, oil immersed, multi-plate disc brakes	
Water	1.1 yd <sup>3</sup> (860 L)	Tires	
Struck	1.4 yd <sup>3</sup> (1,052 L)	Standard	R-7.5x16x8PR F-6.0x16x4PR
Heaped	1.8 yd <sup>3</sup> (1,384 L)	Operating Weight	
		Weight	2,755 lbs (1,250 kg)

# 2WD Rear Wheel Steer Site Dumper PT200

## Dimensions



Dimensions		
A	Overall length	111 in (2.82 m)
B	Overall width	60 in (1.52 m)
C	Height to steering	58 in (1.47 m)
D	Wheelbase	70 in (1.77 m)
E	Height front bucket tip	48 in (1.22 m)
F	Ground clearance	10 in (.25 m)
G	Overall height	95 in (2.41 m)
	Dump reach front	18 in (.47 m)
	Turning radius (wall to wall)	10 ft 8 in (3.25 m)



For more information, product demonstration, or details on purchase, lease and rental plans, please contact your local TEREX Distributor.

### TEREX Construction Americas

8800 Rostin Road  
Southaven, MS 38671  
USA

TEL 662-393-1800  
SALES 866-837-3923  
PARTS & TECH SUPPORT 888-201-6008  
FAX 662-393-1700  
EMAIL [sales@terexca.com](mailto:sales@terexca.com)  
WEB [terexca.com](http://terexca.com)

Effective date: October 1, 2005. For further information, please contact your local distributor or the TEREX sales office listed. Product specifications are subject to change without notice or obligation. The photographs and drawings in this brochure are for illustrative purposes only. Refer to the appropriate Operator's Manual for instructions on the proper use of this equipment. Failure to follow the appropriate Operator's Manual when using our equipment or to otherwise act irresponsibly may result in serious injury or death. Prices and specifications subject to change without notice. The only warranty applicable is the standard written warranty applicable to the particular product and sale. TEREX makes no other warranty, expressed or implied. Products and services listed may be trademarks, service marks or trade-names of TEREX Corporation and/or its subsidiaries in the USA and other countries and all rights are reserved. "TEREX" is a Registered Trademark of TEREX Corporation in the USA and many other countries. Copyright ©2006 TEREX Corporation