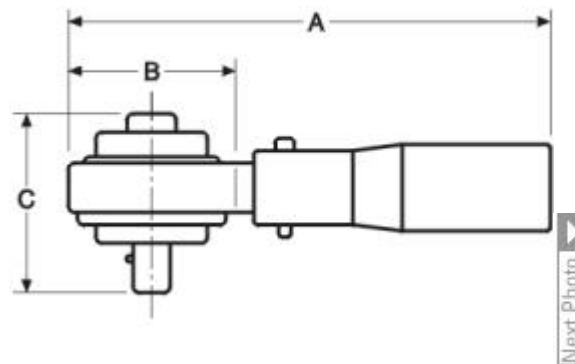


## Torque Multiplier



Size	2,000 Ft. Lbs.
Weight	13.91
Output Capacity	2,000 Ft. Lbs.
Input Capacity	500 Ft.-Lbs.
Input Drive	3/4" Sq. Female
Output Drive	1" Sq. Male
Gear Ratio	4.267:1
Torque Ratio	3.5:1
A Length	19-1/2"
B Head Dia.	4-1/2"
C Height	3-13/16"
Wt. Lbs.	12

[View Comparison Page](#)

Close Window

Add to Quote