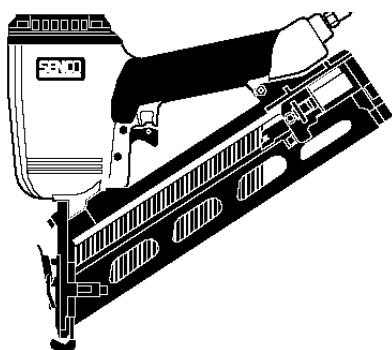


## Finish Nailer SFN40



The SFN40 drives heavy-duty, true brad-head finishing nails for manufactured housing, mobile home and on-site building construction, and cabinet, furniture, and woodworking manufacturing applications.

The SENCOR<sup>®</sup> SFN40 Finish Nailer is the most powerful tool in its class, while offering an excellent power-to-weight ratio. This nailer enables the craftsman to produce high-quality work through such features as the adjustable depth-of-drive control, oil-free design, angled magazine, and no-mar pad. Built to exceed SENCOR's proven standard of quality, it drives a wide range of true brad-head finish nails with virtually jam-free performance. The SFN40's lightweight, well-balanced construction, plus a leather comfort-grip handle, helps reduce fatigue and increase productivity.

### Applications:

*Manufactured Housing, On-site and Mobile Home Construction:*

- Light and heavy trim
- Molding, paneling, and stair applications
- Brick mold
- Window and door casings

*Cabinets, Furniture, and Woodworking:*

- Spindles, legs, chair arms, and rails
- Upholstery trim boards
- Cabinet fronts
- Bookcases, product display cases, and speaker cabinets
- Decorations
- Drawer guides
- Picture frames
- Nailable plastic parts

### Advantages:

- Drives a wide range of 1¼" to 2½" (32-63mm) heavy-duty, true brad-head finish nails for maximum versatility.
- Superior power makes it suitable for use on hardwood, plastic, and particleboard.
- Easy-to-use depth-of-drive control allows precise countersinking of the fastener.
- Weighs only 4.7 pounds (2.1 kg) for easy handling and maneuvering.
- Reduces fatigue through comfort-grip handle, excellent balance, power-to-weight ratio, and low recoil.
- Oil-free design means easier maintenance and no lubrication to stain fine woods.
- Angled magazine and no-mar pad help keep work surface free of damage.
- Small-profile no-mar pad increases visibility, further aiding accurate nail placement.
- Provides nearly jam-free performance.
- Rear two-step loading makes loading quicker and easier, for left-handed or right-handed users.
- Rugged composition enables magazine to withstand on-the-job stress.
- Comes complete in its own heavy-duty plastic case.
- Exhaust adjustable in both velocity and direction.



## Finish Nailer SFN40

### Tool Specifications:

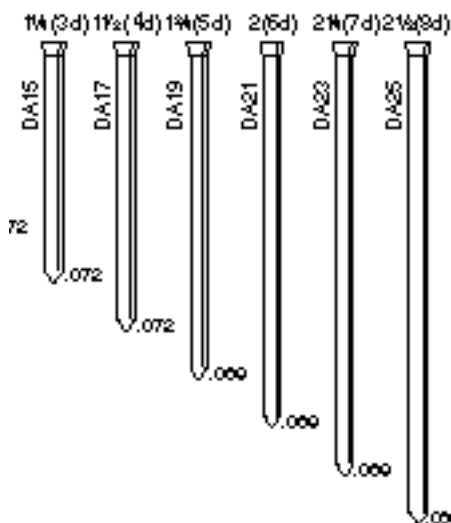
**Tool Specifications:**  
**Tool Weight:** 4.7 lbs. (2.1 kg)  
**Height:** 11¼" (286 mm)  
**Length:** 13" (333 mm)  
**Lip Length:** 5/16" (8 mm)  
**Magazine Capacity:** 104  
**Operating Pressure:** 80-110 p.s.i.g. (5.5 to 7.6 bar)  
**Mode of Operation:** either bottom-fire/trigger-fire tools or trigger-fire tools are available.\*  
**Hose Fitting:** ¼" NPT

### Fastener Specifications:

The SENCO SFN40 drives heavy-duty, true brad-head finish nails ranging from 1¼" to 2½" in length. Galvanized nails are available.

Lengths	Inches	1¼"	1½"	1¾"	2"	2¼"	2½"
	Millimeters	32	38	44	50	57	63
Reorder Number		DA15	DA17	DA19	DA21	DA23	DA25
Nails/Strip		100	100	100	100	100	50

Dimensions shown may be converted to metric measure on basis of 1" = 25.40 millimeters (mm)



Made in the U.S.A.



Companion SENCO Tool: The SFN1 drives DA13 to DA21



\* "Restrictive Trigger" activated tools are used for applications where precision nail or staple placement is desired. You must first depress the safety element where you want to drive a nail or staple and then pull the trigger. After each nail or staple is driven, completely release the trigger and lift the tool off the work surface.

"Dual Action" activated tools are used for applications where high-production work is desired. There are two modes of operation:

**Bottom Fire Method:** This method of operation is sometimes called bounce

firing. You must keep the trigger pulled while moving the tool along the work surface with a bouncing motion, depressing the safety element where you want to drive a nail or staple.

**Trigger Fire Method:** First depress the safety element where you want to drive a nail or staple and then pull the trigger.

For instructions on safe use of tools with either of these activating mechanisms, please refer to the Operating Instructions or Customer Satisfaction and Safety Reminder contained in your tool carton.

For additional information on how SENCO fastening systems will save you time, reduce costs, and increase quality, call your nearest Authorized SENCO Dealer or Distributor listed in the Yellow Pages under "Staples," or call our toll-free Action Line: 1-800-543-4596.